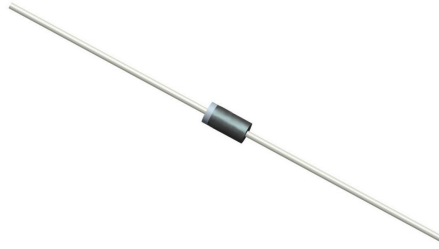


DO-41 Packing information

B027, Rev. -

1. Finish Goods PKG photo



2. Packing method



Label



Reel

Box



Label

Fig.1- Reel pack for Axial Lead



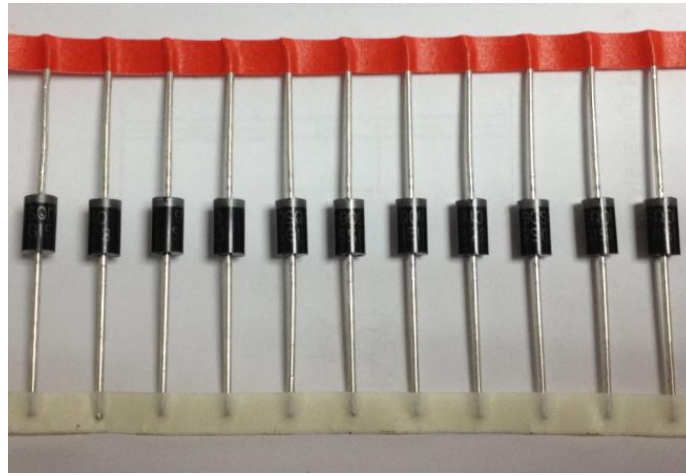
Fig.2- Tape pack for Axial Lead

Table 1. Packing information

Package version	Reel dimensions $\phi \times H$ (mm)	Per reel (pcs)	Per reel weight (Kg)	Reels per box	Box dimensions L×W×H (mm)	Outer box weight (Kg)
DO-41	$\Phi 330 \times 79$	5000	2.6	5	335*335*430	13
Package version	Per tape (pcs)		Tape per box	Inner box dimensions L×W×H (mm)	Inner box weight (Kg)	
DO-41	5000		1	255*80*145	2.6	

3. Product orientation

Standard product orientation DO-41



→
direction of feed

Fig 3. Product orientation in carrier tape

4. Carrier tape dimensions

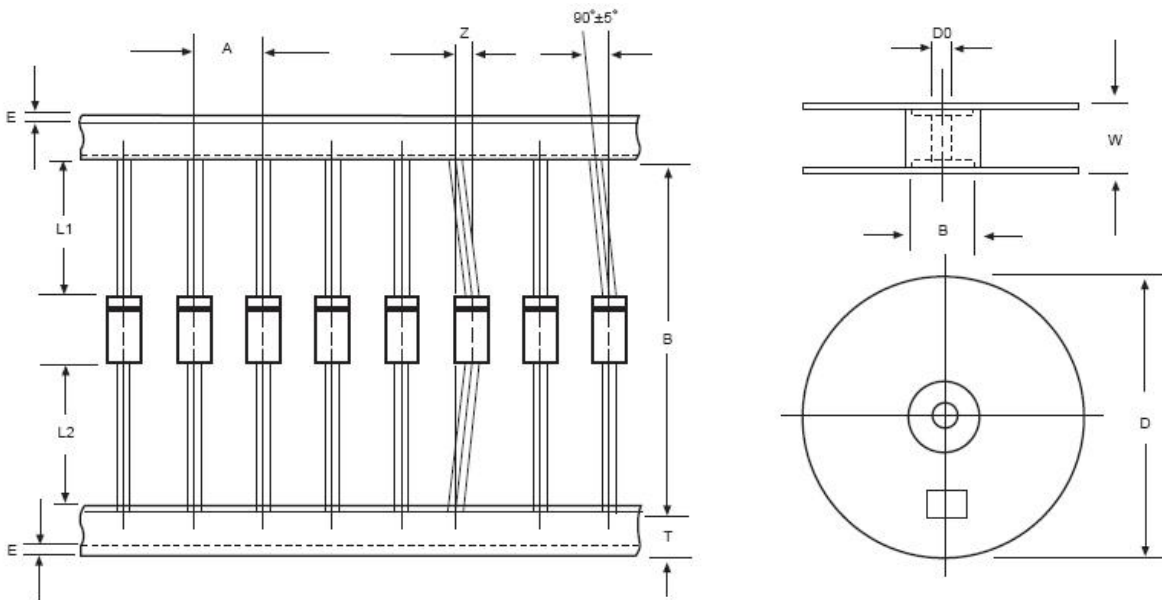


Fig 4. Carrier tape dimensions

Table 2. Carrier tape dimensions

COMPONENT OUTLINE	COMPONENT PITCH A	INNER TAPE PITCH B		CUMULATIVE PITCH TOLERANCE
	$\pm 0.5\text{mm}$ (.020")	$\pm 0.5\text{mm}$ (.020")	$\pm 1.5\text{mm}$ (0.059")	
DO-41	5.0mm		52.4mm	2.0mm/10pitch

ITEM	SYMBOL	SPECIFICATIONS(mm)	SPECIFICATION(inch)
Component alignment	Z	1.2max.	0.048max.
Tape width	T	6.0 ± 0.4	0.236 ± 0.016
Exposed adhesive	E	0.8max.	0.032max.
Body eccentricity	IL1-L2I	1.0max.	0.040max.
Reel outside diameter	D	330.0	13.0
Reel inner diameter	D1	$85.7 + 0.3$	3.375 ± 0.012
Feed hole diameter	D0	$30.5 + 0.4$	1.201 ± 0.016
Reel width	W	79.0 ± 1.0	3.110 ± 0.040